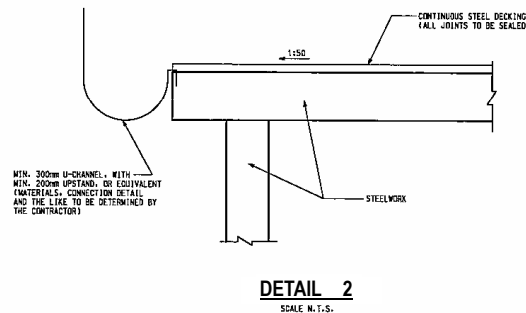
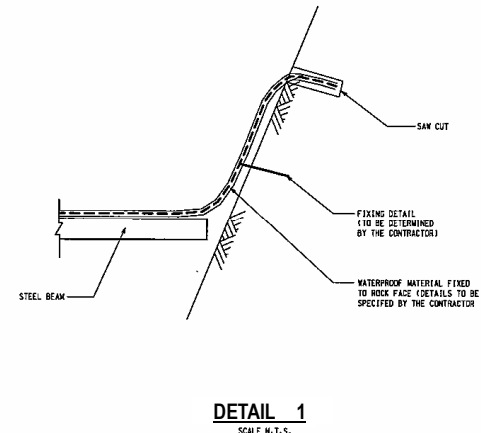


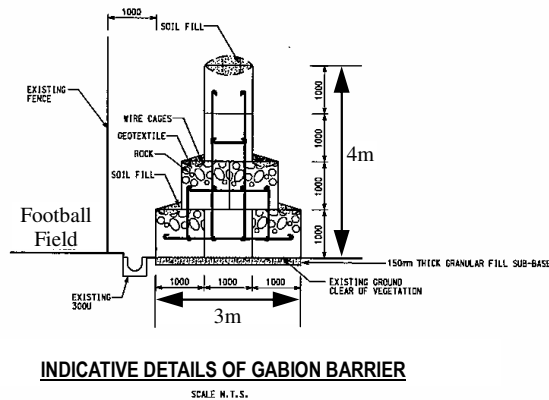
INDICATIVE DETAILS OF TEMPORARY STAGING
SCALE N.T.S.



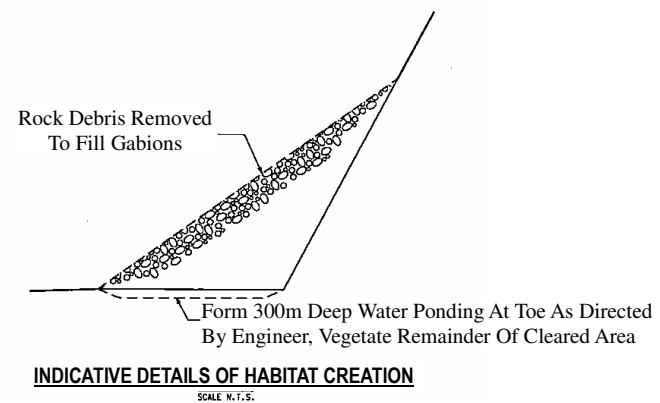
DETAIL 2
SCALE N.T.S.



DETAIL 1
SCALE N.T.S.



INDICATIVE DETAILS OF GABION BARRIER
SCALE N.T.S.



INDICATIVE DETAILS OF HABITAT CREATION
SCALE N.T.S.

Figure 4: Indicative Details of Temporary Staging, Gabion Barrier and Habitat Creation at Slope No. 15NW-C/C3

圖 4：斜坡號碼 15NW-C/C3 的臨時工作台、石籠圍牆及生境創造的指示資料

Environmental Permit No.: EP-149/2002/A
環境許可證編號：EP-149/2002/A

